



BATTERY-OPERATED FOR UNMATCHED POWER



CPBATTERY CP200B

Battery-Operated Portable X-Ray Generator



TELEDYNE ICM
Everywhereyoulook™

Part of the Teledyne Imaging Group

All the power you need and more



LIGHTWEIGHT



BATTERY OPERATED



UP TO 200 KV



100% DUTY CYCLE



SMALL FOCAL SPOT



ROTATING TANK



WIRELESS OR WIRED

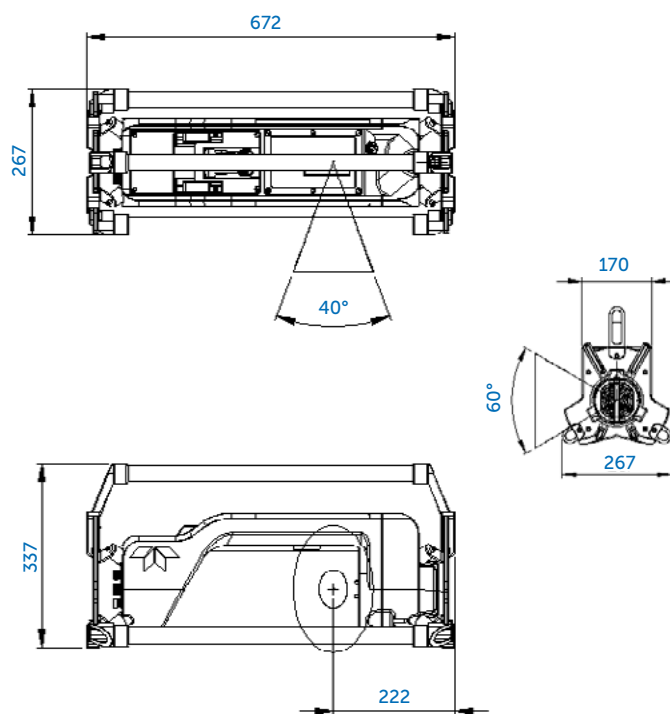
FEATURES

	Unit	CP200B
Radiation geometry	-	Directional
Power supply	-	Dewalt Battery 54V
Output voltage range	kV	40 to 200
Tube current range	mA	0.1 to 1.5
Tube current at full output	mA	1.5
Maximum power at the anode	W	300
Constant power mode	-	Yes
Working cycle at 30°C (*)	%	100
Steel penetration (**)	mm/in	33 / 1.3
Weight (without guard rings)	Kg/lbs	12.5 / 27.5
Weight (with guard rings)	Kg/lbs	15.1 / 33.9
Overall dimensions (L x W x H)	mm/in	672 x 267 x 337 / 26.4 x 10.5 x 13.3
Leakage dose at 1 m at full output	mSv/h	< 2
Optical focal spot according to EN 12543	mm/in	0.8 / 0.03
Maximum useful angle	°	40 x 60
Inherent filtration	mm/in	0.8 / 0.03 (Cu) Equiv. 3.5 / 0.1 (Al)
Waterproof level	-	IP65 (battery excluded)
Operating temperature	°C/°F	-30 to +60 / -22 to +140
Storage temperature	°C/°F	-40 to +80 / -40 to +176
Guard rings	-	2

(*) Open air
(**) 700mm FFD, 10 min exposure on D700 film, density 2



DRAWINGS



ACCESSORIES



TRIPOD



EXTRA BATTERY



TRIGGER



EXTERNAL POWER SUPPLY



COMPATIBLE WITH SHERLOCK NDT

All specifications are non contractual and subject to change without prior notice.

TELEDYNE ICM

Zoning Les Plenesses / Rue du Progrès 3 / B-4821 Andrimont (Dison) - Belgium
+32 (0)87 44 01 50 / icm.sales@teledyne.com



TELEDYNE ICM
Everywhereyoulook™

Part of the Teledyne Imaging Group